

38217-MI

Control Module for Weight Sensor HX711

Display and control module with pre-programmed micro-controller eliminating the Arduino for the **37423-MI "Load Cell with ADC Converter Board for Microcontrollers"**
NOT INCLUDED

Provides power & signal interface to the HX711 analog/digital strain bridge sensor board.

Maximum value displayed: 9999g.

Power: DC 3~5.5V. 2 power supply methods.

Hard wired to solder pads

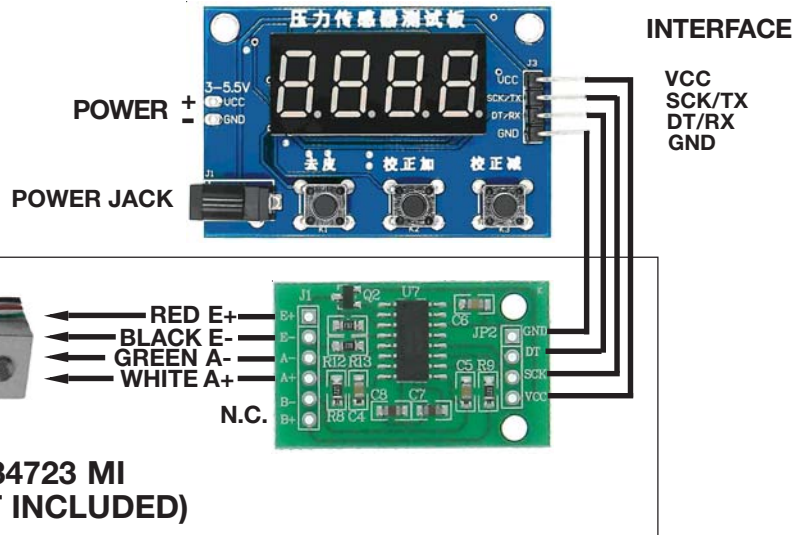
4/1.7mm coaxial jack (Center +)

Display: 4 Digit, 3/8" LED

Interface: 4 pin right angle header, .1" pitch for Vcc, SCK/TX, DT/RX, GND

L: 50mm (2") Board W: 14mm (1-5/16")

H: 11mm (3/8") WT: .02



All Information including Drawings, Schematics etc, Referenced in this Document is supplied by MPJA inc. as a service to our customers. Accuracy or usefulness is not guaranteed nor is it an Endorsement of any particular part, supplier or manufacturer. Use of information and suitability for any application is at users own discretion and user assumes all risk.

Information Subject to Change Without Notice

All rights are retained by the respective Owners/Author(s)



MARLIN P. JONES & ASSOC., INC.

P.O. Box 530400 Lake Park, FL 33403

800-652-6733 FAX 561-844-8764

WWW.MPJA.COM

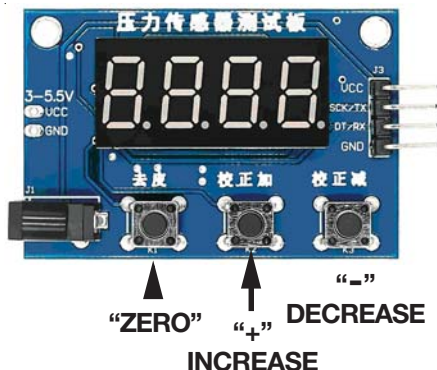
38217-MI

Control Module for Weight Sensor HX711

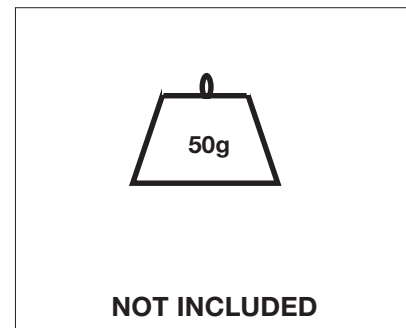
37217 MI
"LOAD CELL & ADC CONVERTER"



38217 MI



KNOWN
WEIGHT



SYSTEM CALIBRATION

After connecting to the Load Cell & ADC Board MPJA P/N 37423-MI (“Load Cell with ADC Converter Board” NOT INCLUDED) for the first time, calibration is required. Requires a Accurate Known Weight Using the 37423-MI “Load Cell with ADC Converter Board”.

Connect the LOAD CELL to the ADC Converter Board (P/N 37423-MI)

Connect Load Cell/Converter combination to the Display/Control Board (38217-MI)

Connect Power to Display/Control Board

Display will show “----” (4 dashes) for ~2 seconds then display a value

(NOTE: Each sensor combo can be different!)

Press the “ZERO” Button, Display will show “0000”.

Place a Known Weight on the Load Cell, note the value shown on the display.

Remove weight then replace to check stability (Zero if needed)

Note the value displayed as compared to the Known Value.

Press the Increase/Decrease buttons accordingly.

Display will show 4 numbers “xxxx”, add/subtract a few counts then wait ~ 1sec. until Display reverts to a value and note new value.

Repeat as needed until Display & Known Value match.

Remove Known Weight and Display should show “0000”

Replace Known Weight and Display should show the actual weight.

Settings are saved when power is off.

All Information including Drawings, Schematics etc, Referenced in this Document is supplied by MPJA inc. as a service to our customers. Accuracy or usefulness is not guaranteed nor is it an Endorsement of any particular part, supplier or manufacturer. Use of information and suitability for any application is at users own discretion and user assumes all risk.

Information Subject to Change Without Notice

All rights are retained by the respective Owners/Author(s)



MARLIN P. JONES & ASSOC., INC.

P.O. Box 530400 Lake Park, FL 33403

800-652-6733 FAX 561-844-8764

WWW.MPJA.COM